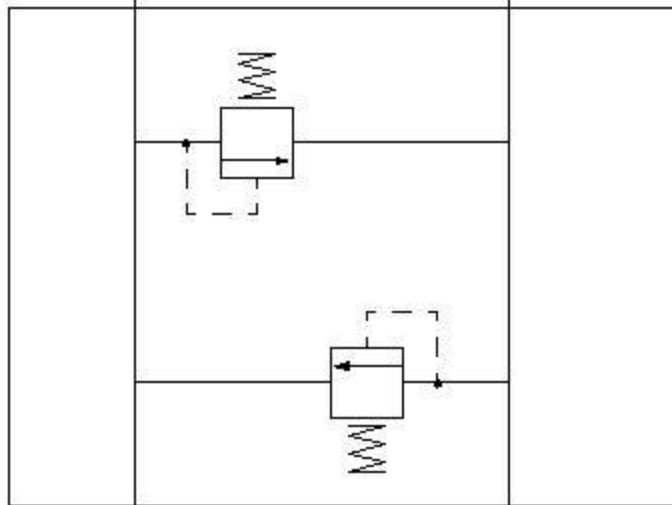


TILT CYLINDERS



A1

B1

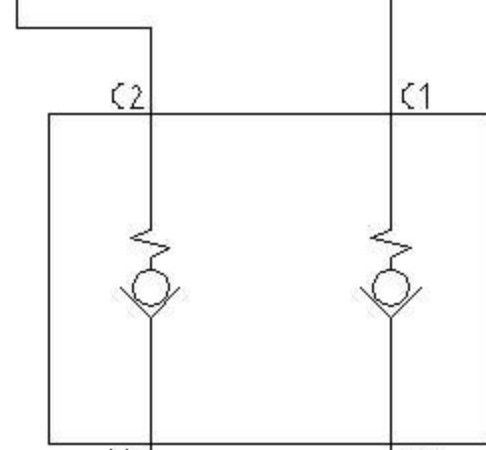


CROSS LINE
RELIEF VALVE

350 BAR
5000 PSI

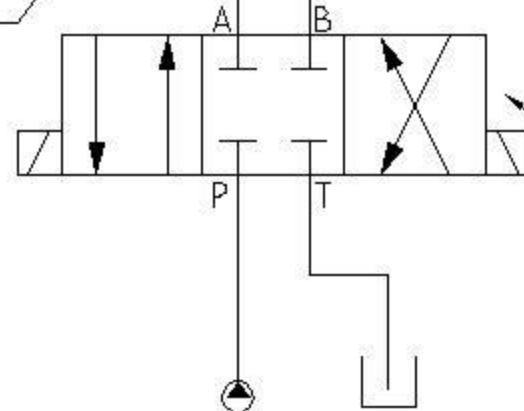
A

B



DOUBLE PILOT OPERATED
CHECK VALVE

TITAN MANUFACTURING
SUPPLIED



SPARE SPOOL
OR DEDICATED
CIRCUIT